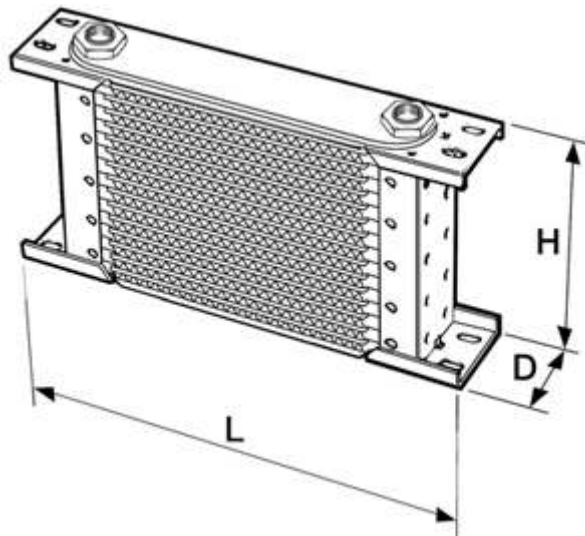


ProLine STD size range



Type	Depth mm	Length mm	Height mm
STD 107	50	210	52
STD 110	50	210	76
STD 113	50	210	99
STD 116	50	210	122
STD 119	50	210	146
STD 125	50	210	193
STD 150	50	210	389
STD 172	50	210	562
STD 607	50	330	52
STD 610	50	330	76
STD 613	50	330	99
STD 616	50	330	122
STD 619	50	330	146
STD 625	50	330	193
STD 634	50	330	264
STD 640	50	330	310
STD 644	50	330	342
STD 650	50	330	389
STD 910	50	405	76
STD 913	50	405	99
STD 915	50	405	115
STD 919	50	405	146
STD 925	50	405	193
STD 934	50	405	264

Slimeline Dimensions

part no.	Type	Length		Height		Depth		C/C M6 studs
		Core	Total	Core	Total	Core	Total	
53-10740	SLM 141-06	141	204	51	63	31	40	90
53-10741	SLM 141-10	141	211	87	99	31	40	90
53-10742	SLM 141-14	141	211	122	136	31	40	90
53-10743	SLM 250-06	250	313	51	63	31	40	200
53-10744	SLM250-10	250	320	87	101	31	40	200
53-10745	SLM 250-14	250	320	122	136	31	40	200
53-10746	SLM 420-06	420	483	51	65	31	40	320
53-10747	SLM 420-10	420	490	87	101	31	40	320
53-10748	SLM 420-14	420	490	122	136	31	40	320
53-10749	SLM 592-06	592	655	51	65	31	40	492
53-10750	SLM 592-10	592	662	87	101	31	40	492
53-10751	SLM 592-14	592	662	122	136	31	40	492